



Cu-ALLOY HORIZONTAL LIFT CHECK VALVES - BS 5154

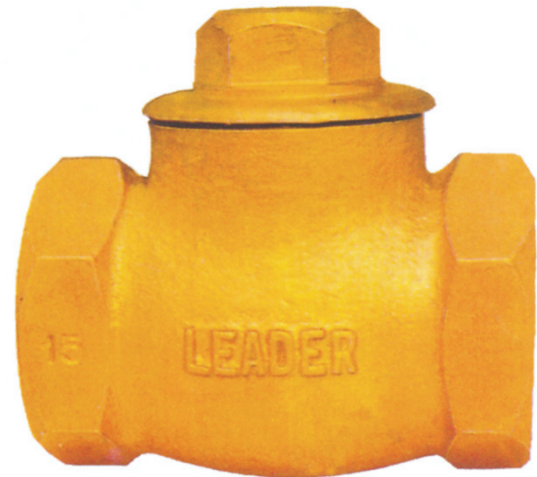
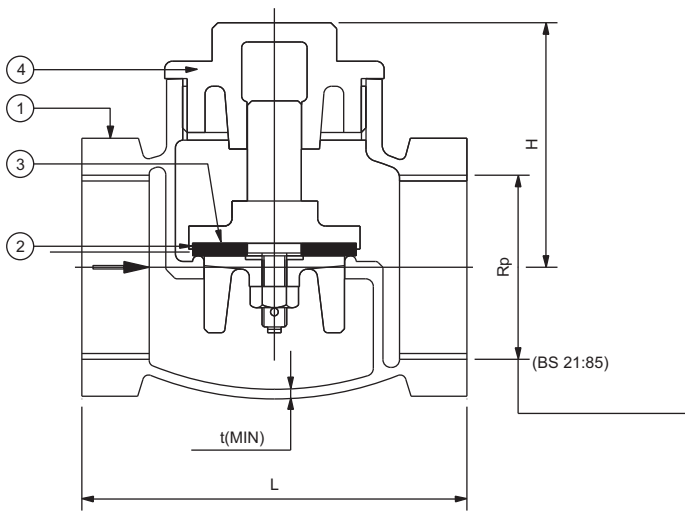
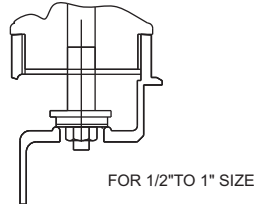
PN 20

SPECIFICATIONS

SCREWED IN COVER, INTEGRAL SEAT, RESILIENT SEATED, SCREWED FEMALE BSP PARALLEL THREADS TO BS 21 OTHER FORMS OF THREADS CAN BE PROVIDED ON REQUEST.

PRESSURE-TEMPERATURE RATINGS

20 bar FROM - 10°C TO 100°C



STANDARD MATERIAL COMBINATION

| P.NO. | QTY. | DESCRIPTION | MATERIALS | SPECIFICATIONS |
|-------|------|----------------------------|-----------|--------------------|
| 1 | 1 | COVER | G.M | EN 1982 Gr. CC491K |
| 2 | 1 | BODY | G.M. | EN 1982 Gr. CC491K |
| 3 | 1 | DISC | G.M. | EN 1982 Gr. CC491K |
| 4 | 1 | RESILIENT SEAT (RENEWABLE) | RUBBER | |

DIMENSIONAL DATA

| NPS | 1/2 | 3/4 | 1 | 1 1/4 | 1 1/2 | 2 | 2 1/2 | 3 | 4 |
|----------------|----------|----------|----------|----------|----------|----------|----------|----------|----------|
| L | 55.5 | 66.5 | 78 | 91.5 | 100 | 123 | 156.5 | 178 | 206 |
| H | 35 | 40 | 51 | 61 | 70 | 80 | 90 | 110 | 115 |
| t | 1.8 | 2.0 | 2.1 | 2.4 | 2.5 | 2.8 | 3.2 | 80 | 100 |
| Aprox. Wt. ^ | 0.290 | 0.480 | 1.080 | 1.300 | 1.750 | 3.300 | 6.100 | ---- | ---- |
| ITEM CODE NOS. | GM 036 D | GM 036 F | GM 036 G | GM 036 H | GM 036 I | GM 036 J | GM 036 K | GM 036 L | GM 036 N |

TEST PRESSURES

| STANDARD NO. | SHELL TEST (HYDROSTATIC) | SEAT TEST | |
|-------------------|--------------------------|---------------|-----------|
| | | (HYDROSTATIC) | PNEUMATIC |
| BS 12266 PART - 1 | 30 bar | 22 bar | 6.9 bar |

NOTE: The above data is subject to change without notice due to our continuing product improvement program. (^ WEIGHT GIVEN IN KGS)



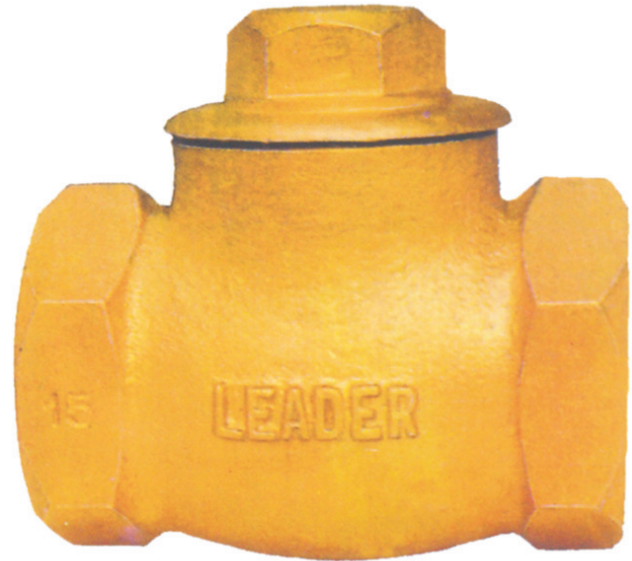
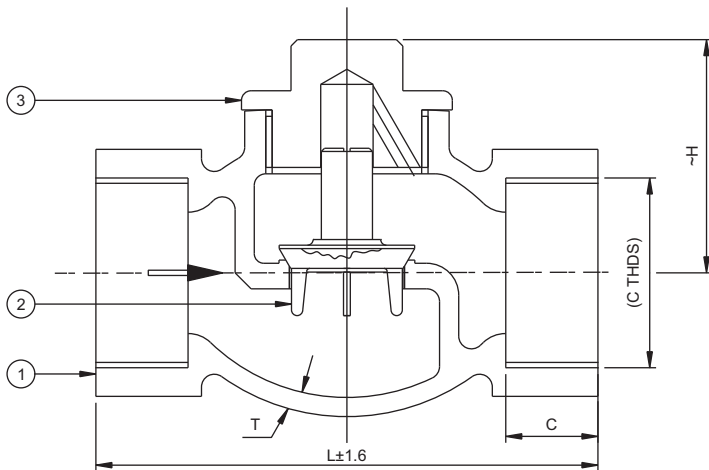
Cu-ALLOY HORIZONTAL LIFE CHECK VALVE - BS 5154

PN 25

SPECIFICATIONS

SCREWED IN COVER, INTEGRAL SEAT, SCREWED FEMALE BSP PARALLEL THREADS TO BS21. OTHER FORMS OF THREADS CAN BE PROVIDED ON REQUEST

PRESSURE-TEMPERATURE RATINGS



STANDARD MATERIAL COMBINATION

| P. NO. | QTY. | DESCRIPTION | MATERIALS | SPECIFICATIONS |
|--------|------|-------------|-----------|--------------------|
| 1. | 1 | BODY | G.M. | EN 1982 Gr. CC491K |
| 2. | 1 | DISC | G.M. | EN 1982 Gr. CC491K |
| 3. | 1 | COVER | G.M. | EN 1982 Gr. CC491K |

DIMENSIONAL DATA

| NPS | 1/4 | 3/8 | 1/2 | 3/4 | 1 | 1 1/4 | 1 1/2 | 2 | 2 1/2 | 3 | 4 |
|-------------------------|----------|----------|----------|-----------|----------|----------|----------|----------|----------|----------|----------|
| L | 40 | 45 | 57 | 68 | 78 | 95 | 103 | 125 | 157 | 178 | 206 |
| H | 23 | 26 | 32 | 36.5 | 50 | 53 | 63.5 | 71.5 | 76 | 110 | 115 |
| C | 1/4" | 3/8" | 1/2" | 3/4" | 1" | 1-1/2" | 1-1/2" | 2" | 2-1/2" | 3" | 4" |
| T | 1.7 | 1.8 | 1.9 | 2.1 | 2.4 | 2.6 | 2.8 | 3.2 | 3.7 | 4.1 | 4.6 |
| Aprox. Wt. [^] | ---- | ---- | 0.365 | 0.550 | 0.750 | 1.260 | 1.690 | 2.815 | 4.565 | 6.210 | 12.600 |
| ITEM CODE NOS. | GM 039 B | GM 039 C | GM 039 D | GM 0039 F | GM 039 G | GM 039 H | GM 039 I | GM 039 J | GM 039 K | GM 039 L | GM 039 N |

TEST PRESSURES

| STANDARD NO. | SHELL TEST (HYDROSTATIC) | SEAT TEST (HYDROSTATIC) |
|------------------|--------------------------|-------------------------|
| BS 12266 PART- 1 | 37.5 bar | 27.5 bar |

NOTE: The above data is subject to change without notice due to our continuing product improvement program. ([^]WEIGHT GIVEN IN KGS)



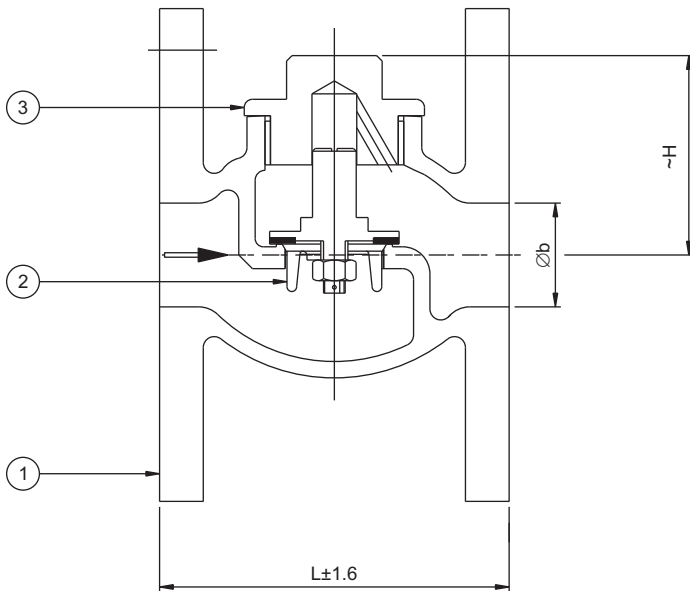
Cu-ALLOY HORIZONTAL LIFT CHECK VALVES

PN 25, CLASS 150

SPECIFICATIONS

SCREWED IN COVER, INTEGRAL SEAT, SEAT RENEWABLE DISC, FLANGED ENDS AS PER BS 4504 PN 25/BS 10 TABLE F

PRESSURE-TEMPERATURE RATINGS



STANDARD MATERIAL COMBINATION

| P. NO. | QTY. | DESCRIPTION | MATERIALS | SPECIFICATIONS |
|--------|------|-------------|-----------|--------------------|
| 1. | 1 | BODY | G.M. | EN 1982 Gr. CC491K |
| 2. | 1 | DISC | G.M. | EN 1982 Gr. CC491K |
| 3. | 1 | COVER | G.M. | EN 1982 Gr. CC491K |

DIMENSIONAL DATA

| DN NPS | 15 ½ | 20 ¾ | 25 1 | 32 1 ¼ | 40 1 ½ | 50 2 | 65 2 ½ | 80 3 | 100 4 | |
|----------------------|---------|----------|----------|-----------|-----------|----------|-----------|----------|----------|----------|
| L | 55 | 64 | 75 | 82 | 98 | 110 | 156 | 162 | 196 | |
| Øb | 12.7 | 20 | 25 | 32 | 40 | 50 | 65 | 80 | 100 | |
| H | 35 | 40 | 51 | 61 | 70 | 80 | 90 | 110 | 115 | |
| ITEM CODE NOS. | PN 25 | GM 041 D | GM 041 F | GM 041 G | GM 041 H | GM 041 I | GM 041 J | GM 041 K | GM 041 L | GM 041 N |
| Aprox.Wt. ^ (CL-150) | 1.440 | 1.880 | 2.380 | 3.250 | 4.860 | 6.510 | 11.000 | 12.100 | 18.85 | |

| NOMINAL PRESSURE ACCORDING TO PN OR CLASS DESIGNATION | END DETAILS | TEST PRESSURES | | | STANDARD |
|---|-----------------------------------|----------------|-------------|-----------|----------------|
| | | SHELL TEST | SEAT TEST | | |
| | | HYDROSTATIC | HYDROSTATIC | PNEUMATIC | |
| PN 25 | FLANGED ENDS AS PER BS 4504 PN 25 | 37.5 bar | 27.5 bar | 6.9 bar | BS 6755 PART-1 |
| CLASS 150 | FLANGED ENDS AS PER BS 10 TABLE F | 30 bar | 22 bar | 6.9 bar | |

NOTE: The above data is subject to change without notice due to our continuing product improvement program. (^WEIGHT GIVEN IN KGS)



Cu-ALLOY UNION COVER HORIZONTAL LIFE CHECK VALVES -BS 5154

PN 25

SPECIFICATIONS

UNION COVER, RENEWABLE SEAT & DISC, SCREWED FEMALE BSP PARALLEL THREADS TO BS 21 OTHER FORMS OF THREADS CAN BE PROVIDED ON REQUEST.

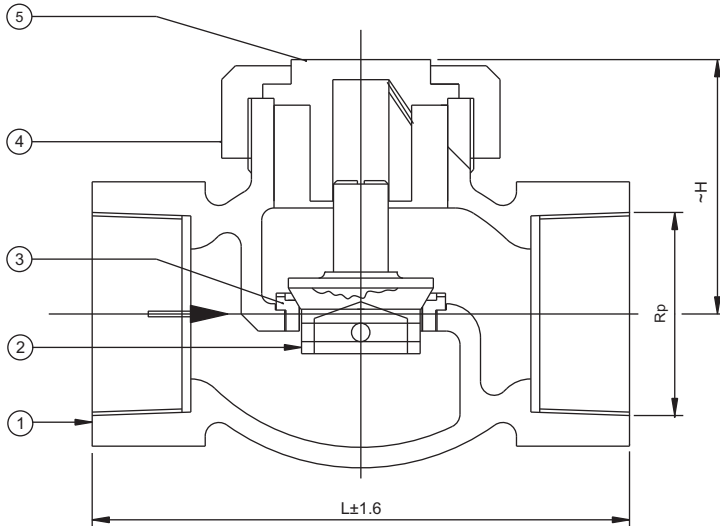


FIG NO : GM 042



STANDARD MATERIAL COMBINATION

| P. NO. | QTY. | DESCRIPTION | MATERIALS | SPECIFICATIONS |
|--------|------|----------------|---------------|-------------------------|
| 1. | 1 | BODY | G.M. | EN 1982 Gr. CC491K |
| 2. | 1 | DISC | 13% Cr. STEEL | ASTM A276 : 06 TYPE 410 |
| 3. | 1 | BODY SEAT RING | 13% Cr. STEEL | ASTM A276 : 06 TYPE 410 |
| 4. | 1 | COVER | G.M. | EN 1982 Gr. CC491K |
| 5. | 1 | UNION | G.M. | EN 1982 Gr. CC491K |

DIMENSIONAL DATA

| NPS | 1/4 | 3/8 | 1/2 | 3/4 | 1 | 1 1/4 | 1 1/2 | 2 | 2 1/2 | 3 | 4 |
|-------------------------|----------|----------|----------|----------|----------|----------|----------|----------|----------|----------|-------|
| L | 55.5 | 60 | 70 | 85 | 100 | 108 | 122 | 148.5 | 166 | 203 | 247.3 |
| H | 32.5 | 32.5 | 42 | 50 | 55 | 61 | 72 | 87 | 96.3 | 105 | 55 |
| Rp | 1/4" | 3/8" | 1/2" | 3/4" | 1" | 1-1/4" | 1-1/2" | 2" | 2-1/2" | 3" | 4" |
| Aprox. Wt. [▲] | ---- | ---- | 0.570 | 0.960 | 1.470 | 2.300 | 3.150 | 5.300 | 7.400 | 10.200 | ---- |
| ITEM CODE NOS. | GM 042 B | GM 042 C | GM 042 D | GM 042 F | GM 042 G | GM 042 H | GM 042 I | GM 042 J | GM 042 K | GM 042 L | ---- |

TEST PRESSURES

| STANDARD NO. | SHELL TEST (HYDROSTATIC) | SEAT TEST (HYDROSTATIC) |
|------------------|--------------------------|-------------------------|
| BS 12266 PART- 1 | 37.5 bar | 27.5 bar |

NOTE: The above data is subject to change without notice due to our continuing product improvement program. (▲WEIGHT GIVEN IN KGS)