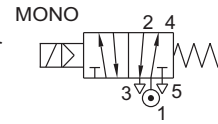


5/2, 3/2 CONVERTIBLE POPPET TYPE, NAMUR SOLENOID VALVE

TYPE	PRESSURE

TYPE	PRESSURE

TYPE	PRESSURE
51424	1 - 10 bar



FEATURES

- Ideally suited for dusty out door application
- Poppet design for faster operation
- Dust cap fitted on exhaust port



Match Slot to 5/2 for 5/2

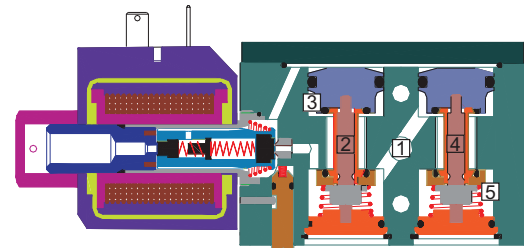


Match Slot to 3/2 for 3/2



WETTED PARTS

Code	※	B1	B5
Body	Anodized Aluminium	Anodized Aluminium	SS 316
Internals	Aluminium, Brass and SS 316	SS 316	SS 316
Guide Assembly	SS 304		
Shadow-Ring	Copper/ Silver/ None		
Plunger, Insert	SS 430		
Spring/ Circlip	SS 302/ Steel Plated		
Fasteners	SS 304		
Seat, Seals	NBR, Viton		



AMBIENT AND FLUID TEMPERATURE

-20 °C to 80 °C

SPECIAL VERSION AND SUFFIX

Suffix : (Valve) AM, WO
Special version : (Solenoid) CO, FR, SS, LC, III

MEDIA

Air, Inert Gases

APPLICATION

Operation of double/ single acting actuator

PORT CONNECTION

INLET	OUTLET	OUTLET	EXHAUST	EXHAUST	PILOT EXHAUST
1		4	2		

3

5

Contact Rotex for

- Any other ambient, fluid temperature, media and application
- UL listed Listed general purpose Valve



SPARES

(Refer page 25 for ordering code)

SPARE KIT	CODE
Seal Kit O-ring Set and Plunger Assembly	98
Repair Kit O-ring Set, Plunger Assembly, Fastener, Springs, Manual Override	99
Solenoid Kit Solenoid, Gasket and Nut 34	

APPROVAL

Approval	Nema 4X	IP67	Ex d IIC T4 or T5 or IP66	Ex ia IIC T6	DGMS	CCOE
		✓	✓	✓	✓	✓
CE		✓	✓	✓		
UL	✓		*			
			✓	✓		
			✓	✓		
			✓	✓		

(*) applied for T4x or T6

5/2, 3/2 CONVERTIBLE POPPET TYPE, NAMUR SOLENOID VALVE

SPECIFICATION

PORT CONNECTION		PRE-SURE bar		ORIFICE (mm)	FLOW FACTOR Kv @ 1 bar (LPM OF WATER @ 1 bar)	VALVE TYPE	PILOT PRESSURE	BODY MATERIAL AND INTERNALS					SEALS					MANUAL OVERRIDE		SOLENOID ENCLOSURE		OUTLET PORT		POWER VA		CONSTRUCTION REFERENCE NUMBER	
SIZE	BSP(F)	NPT(F)	MINIMUM					MAXIMUM	ALUMINIUM	ALUMINIUM + SS	BRASS (STD. PORT NPT)	SS 316 (CF8M) (STD. PORT NPT)	NBR	Viton	EPDM	HYTREL	PTFE	NIL	STAYPUT CUM MOMENTARY	FLYING LEAD	PLUG IN IP67	SQ. PLUG IN, IP67	TERMINAL BOX IP67	FPJB Ex d IIC, T4 OR T6	LARGE ENCLOSURE		SOLENOID SIZE
5/2, 3/2 CONVERTIBLE SINGLE SOLENOID																											
1/4"	2G	2R	2	10	6	12	51424	*	B1	B5	*	S2		M0	*	M8	22		T	E	14	2	18	12	8	N11	

Cable Entry T E * = Do not specify when opted for
M20 x 1.5 19 39
1/2" NPT 16 37

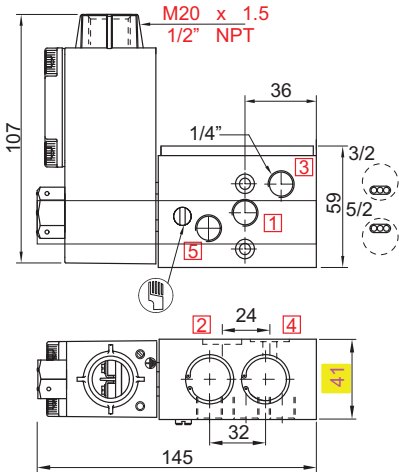
ORDERING CODE, EXAMPL VALVE + SOLENOID

TYPE-SUFFIX-ORIFICE-PORT CONNECTION- BODY AND INTERNALS MANUAL OVERRIDE SEAL + SIZE -VOLTAGE- CURRENT- SOLENOID ENCLOSURE- APPROVAL- INSULATION- SPECIAL VERSION
e.g. 51424-6-2G+220V 50Hz-22

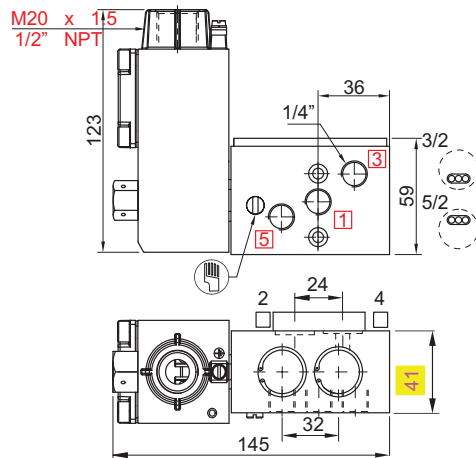
DIMENSIONS

All Dimensions are in mm

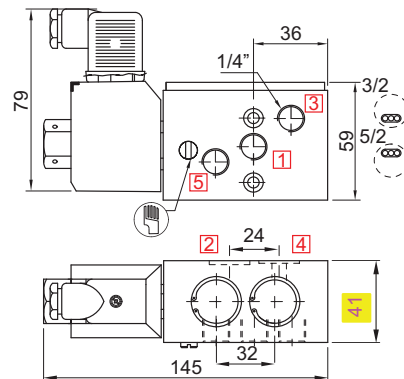
CONSTRUCTION REFERENCE N°



TERMINAL BOX/ Ex d TYPE 16, 19, 37, 39



TERMINAL BOX/ Ex d LARGE ENCLOSURE, TYPE 16, 19, 37, 39



PLUG IN SOLENOID TYPE 22/ 25

11

