

Atlas Copco

Oil-injected Rotary Screw Compressors

GA 15-22, 15-22 kW



Sustainable Productivity

Atlas Copco

Technical specifications

COMPRESSOR TYPE	Max. Working Pressure Workplace				Capacity FAD*		Installed motor power		Noise level**	Weight (kg/lbs)			
	WorkPlace		WorkPlace FF		l/s	cfm	kW	hp		Workplace		Tank Mouted	
	bar(e)	psig	bar(e)	psig					Pack	Full Feature	Pack	Full Feature	
GA 15	7.5	109	7.3	105	43	91.1	15	20	74	375	440	500	565
	10	145	9.8	141	36.3	76.9	15	20	74	375	440	520	565
	13	189	12.8	185	30.1	63.8	15	20	74	375	440	535	565
GA 18	7.5	109	7.3	105	52.5	111.2	18.5	25	76	395	470	520	595
	10	145	9.8	141	43.5	92.2	18.5	25	76	395	470	520	595
	13	189	12.8	185	37.2	78.8	18.5	25	76	395	470	520	595
GA 22	7.5	109	7.3	105	60.2	127.6	22	30	78	410	485	535	610
	10	145	9.8	141	51.7	109.5	22	30	78	410	485	535	610
	13	189	12.8	185	45	95.3	22	30	78	410	485	535	610

* Unit performance measured according to ISO 1217, Ed. 3, Annex C-1996.

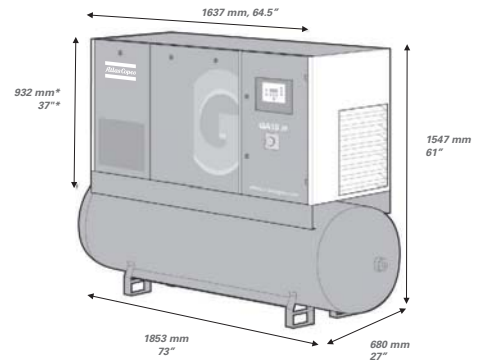
FAD is measured at the following working pressures:

- 7.5 bar versions at 7 bar
- 10 bar versions at 9.5 bar
- 13 bar versions at 12.5 bar

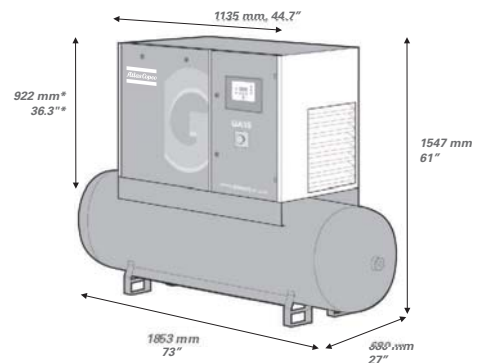
** Mean noise level measured according to ISO 2151/Pneurop/Cagi PN8NTC2 test code; tolerance 3 dB(A).

Pressure dew point of integrated refrigerant dryer at reference conditions: 2°C to 3°C, 36°F to 37°F.

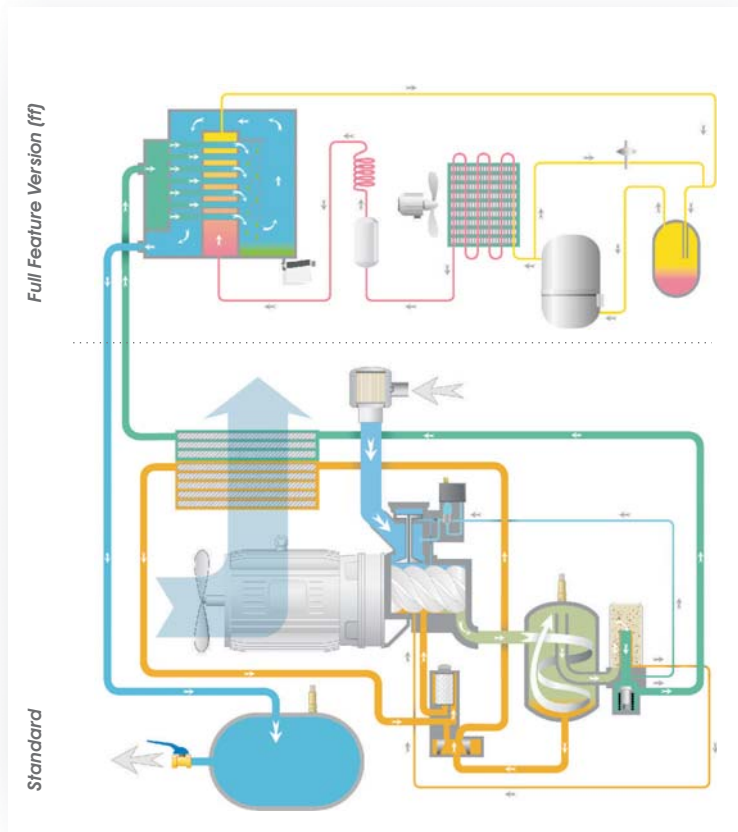
GA 15 – GA 18 – GA 22 Full Feature



GA 15 - GA 18 - GA 22 Pack



* For floor-mounted versions.



Superior performance and reliability

Set to meet your specific requirements and tackle your daily challenges, Atlas Copco offers you the GA, by far the most reliable tank-mounted solution. Immediately ready to supply high quality air, this powerful solution provides you with the exceptional reliability, efficiency and integration you are looking for.

GA 15 – GA 18 – GA 22

ASSURED RELIABILITY

- High performance beating any workshop solution.
- Complete solution mounted on a tank and ready to supply high quality air immediately after delivery.
- Controls tailored to the needs of any workshop: the Elektronikon® I regulator is easy to comprehend and operate by anyone in the workshop using simple universal pictograms.



1 Compressor Element

2 Axial Fan

3 Coolers

4 Oil Separator

5 Air Inlet Filter

6 Motor

7 Oil Filter

8 Air Receiver 500L

9 Integrated Refrigerant Air Dryer (Optional)



Atlas Copco Group:

Global Industrial group, headquartered in Stockholm, Sweden.

More than 140 years of experience.

More than 39,800 employees worldwide, with sales turnover, over BEUR 10.5.

Network in 180 countries.



CUSTOMER CENTRES	PHONE	MOBILE	FAX
406, Baleshwar Avenue, Opp. Rajpath Club, Sarkej- Gandhinagar Highway, AHMEDABAD 380 015.	(079) 32445433	(0) 9960478647	(079) 26872547
5th Floor, Kushal Graden Arcade, Peenya Industrial Area, Phase II, Peenya, BANGALORE 560 058.	(080) 39280191	(0) 9341640024	(080) 39280145
SCO 811, 1st Floor, NAC, Manimajra, CHANDIGARH 161 101.	(0172) 3934922	(0) 9316915466	(0172) 3934911
"SHYAMALA TOWERS" 8th Floor, 136, Arcot Road, Saligramam, CHENNAI 600 093.	(044) 39156000	(0) 9341640024	(044) 39156004
6-3-1191, 2nd Floor, Brij Tarang, Greenland, Begumpet, HYDERABAD 500 016.	(040) 32949090	(0) 9341640024	(040) 23417923
Trinity Plaza, 2nd Floor, West Wing, 841 / 1A, Topasia Road (South), KOLKATA 700 046.	(033) 22851042	(0) 9330925621	(033) 22851043
Mahatma Gandhi Memorial Building, 2nd Floor, Netaji Subhash Road, MUMBAI 400 002.	(022) 32949090	(0) 9960478647	(022) 22811463
Unitech Business Park, Tower 'A', First Floor, Sector - 41, GURGAON 122 001.	(0124) 3027945	(0) 9316915466	(0124) 3027924
2nd Floor, Tellus Technologies Pvt. Ltd. 209/1B/1A, Range Hills Road, PUNE 411 020.	(020) 32949090	(0) 9960478647	(020) 30257129

Atlas Copco Compressor Technique

Atlas Copco (India) Ltd.

Sveanagar, Dapodi, Pune 411012.

Phone: 020 - 3985 2100 Fax: 020 - 3985 7009

Email : info.compressor@in.atlascopco.com

www.atlascopco.com

Reach us @ 1800 200 0030

