


CESI CERTIFICATE 

EC-TYPE EXAMINATION CERTIFICATE

[1] EC-Type Examination Certificate number: **CESI 05 ATEX 017**

[2] Equipment or Protective System intended for use in potentially explosive atmospheres Directive 94/9/EC

[3] Equipment: Explosion Proof/Limit Switch Type DNLF

[4] Manufacturer: Rotex Automation Limited

[5] Address: 987/11, GDCC, Makarpura Vadodara 390010, India

[6] This equipment or protective system and any acceptable variation thereto is specified in the schedule to this certificate and the documents therein referred to.

[7] CEI notified body no. 0722 in accordance with Article 9 of the Council Directive 94/9/EC of 23 March 1994, certifies that this equipment or protective system has been found to comply with the Essential Health and Safety Requirements relating to the design and construction of equipment and protective systems intended for use in potentially explosive atmospheres given in Annex II to the Directive.

[8] The Examination and test results are recorded in confidential report no. EX-A5/005684.

[9] Compliance with the Essential Health and Safety Requirements has been assured by compliance with:

- EN 60079-0:2004
- EN 60079-1:2004
- EN 61241-1:2004

[10] If the sign "X" is placed after the certificate number, it indicates that the equipment or protective system is subject to special conditions for safe use specified in the schedule to this certificate.

[11] This EC-TYPE EXAMINATION CERTIFICATE relates only to the design, examination and tests of the specified equipment or protective system in accordance to the Directive 94/9/EC. Further requirements of the Directive apply to the manufacturing process and supply of this equipment or protective system. These are not covered by this certificate.

[12] The marking of the equipment or protective system shall include the following:

- II 2 GD
- Ex d IIC T6
- ID A21 IP66T85°C

This certificate may only be reproduced in its entirety and without any change, schedule included.

Date: February 2005 - Translation issued the February 2005

Prepared: Francesco Esposito Verified: Mirko Bataz Approved: Ulisse Colombo

Il CESI è stato autorizzato dal governo italiano ad effettuare certificazioni di apparecchiature e sistemi destinati all'uso in atmosfere potenzialmente esplosive conformi alla direttiva CEE 94/9/CE. D.M. 12/10/1995, D.M. 15/01/1999, D.M. 20/7/1998 e D.M. 27/05/2001.

CESI

Schedule

[13] EC-TYPE EXAMINATION CERTIFICATE no. CESI 05 ATEX 017

[15] Description of equipment

- The explosion proof Limit Switch type DNLF 1A2, made in light metals is used as accessory on the rotary actuators. They are identified by the following code:

Type: DNLF

- 1 + 6: type of switch
- A or B:
- 2: number of internal switch

Electrical Characteristics

- Rated voltage: according to the internal switch 8,125, 220 Vdc or 250 Vac
- Rated frequency: 50 or 60 Hz + 50%
- Maximum dissipable power: 10 W, 10A
- Degree of protection: IP 66 (EN 60529)
- Ambient temperature: -20 + 60°C

The accessories used for cable entries shall be certified in accordance with EN 50014, EN 50018 or EN 60079-0, EN 60079-1, EN 61241-1 and EN 50281-1-1 standards, shall be marked 112GD and shall guarantee a degree of protection IP 66 at least and shall be suitable for the operating temperature of the limit switch.

[16] Report no. EX-A5/005684.

Routine tests

- The Manufacturer must carry out the routine tests specified in paragraph 27 of EN 60079-0 Standard and at paragraph 16 of EN 60079-1 Standard. The routine overpressure test shall be carried out an 12 [bar] with the static method (par. 15.1.3.1 of EN 60079-1 Standard).

This certificate may only be reproduced in its entirety and without any change, schedule included.

CESI

Schedule

[14] EC-TYPE EXAMINATION CERTIFICATE no. CESI 05 ATEX 017

- Descriptive documents (prot. EX-A5/005685)
- no. Technical Notes: TF-LS-001 Rev:0 dated: 01.02.2005
- no. EC Declaration of Conformity: ECD 002 Rev:0 dated: 01.02.2005
- no. Instruction Manual: IMC/002 Rev:0 dated: 01.02.2005
- no. Name Plate for: WN-2693 Rev:0 dated: 01.02.2005
- One copy of all documents is kept in CESI files.

[17] Special conditions for safe use

- None.

[18] Essential Health and Safety Requirements

- Assured by compliance with Standards listed in the following:
- EN 60079-0:2004, EN 60079-1:2004, EN 61241-1:2004, EN 50014:1997 + A1, A2, EN 50018:2000 + A1, EN 50281-1-1:1998 + A1

This certificate may only be reproduced in its entirety and without any change, schedule included.

CESI

Schedule

[13] EC-TYPE EXAMINATION CERTIFICATE no. CESI 05 ATEX 017

SOLENOID VALVE

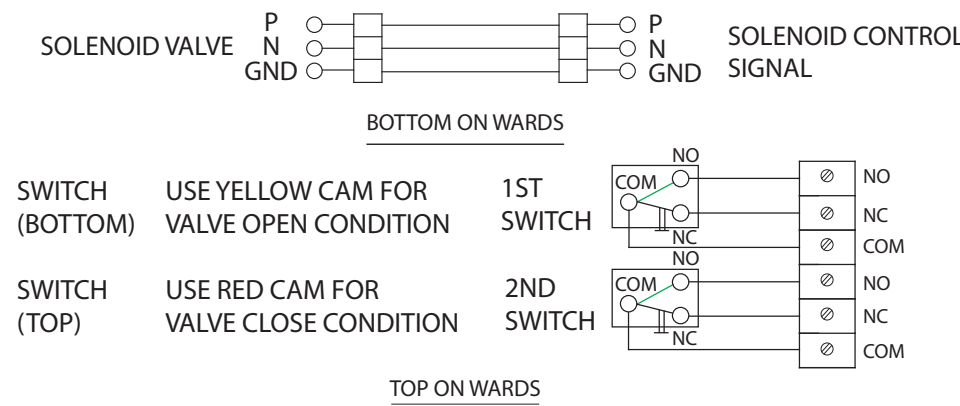
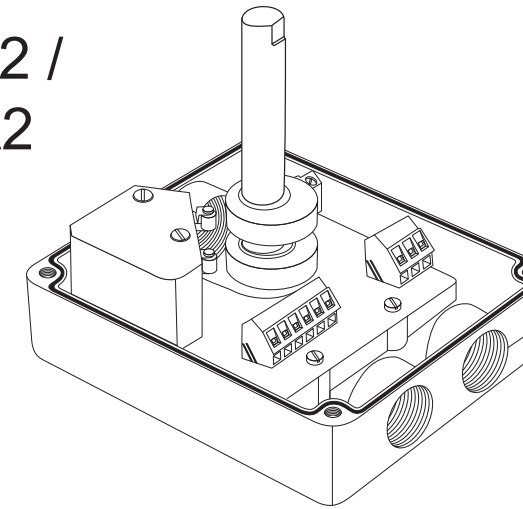
SOLENOID CONTROL SIGNAL

SWITCH (BOTTOM) USE YELLOW CAM FOR VALVE OPEN CONDITION 1ST SWITCH

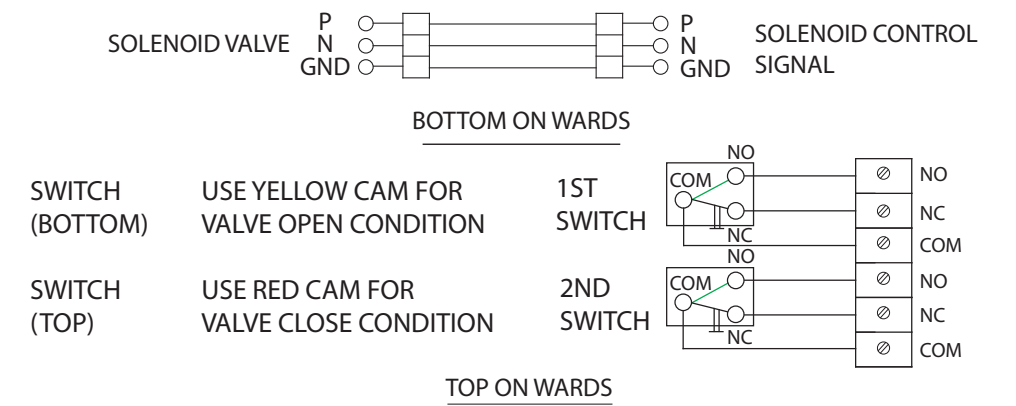
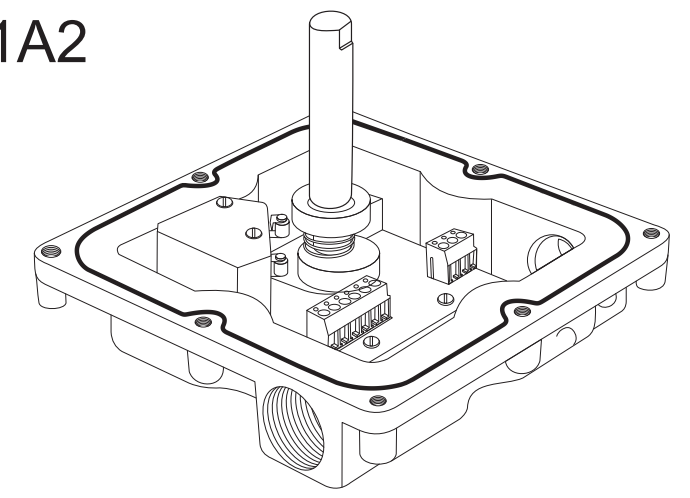
SWITCH (TOP) USE RED CAM FOR VALVE CLOSE CONDITION 2ND SWITCH

DNLF6A2-3E&4R COBRA MODEL-RR12

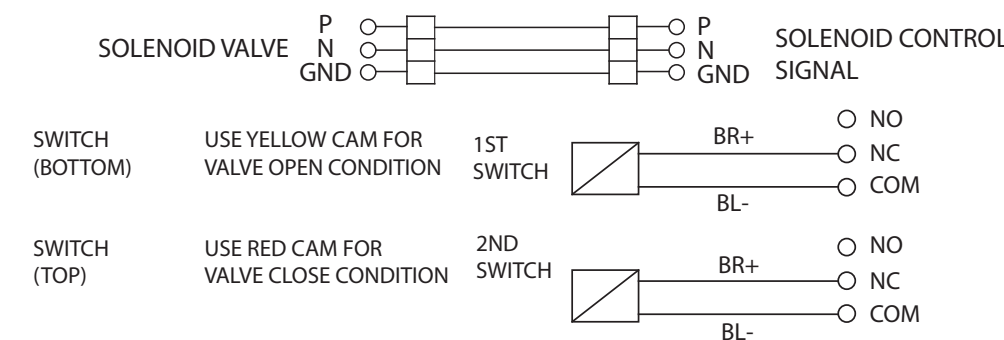
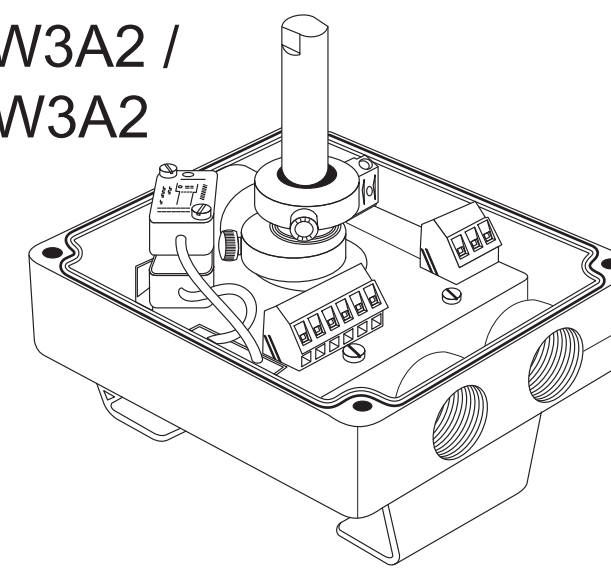
DXLW1A2 / DNLW1A2



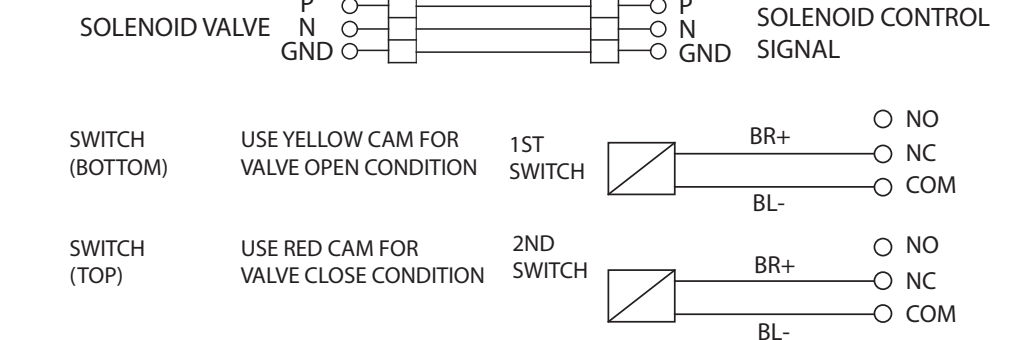
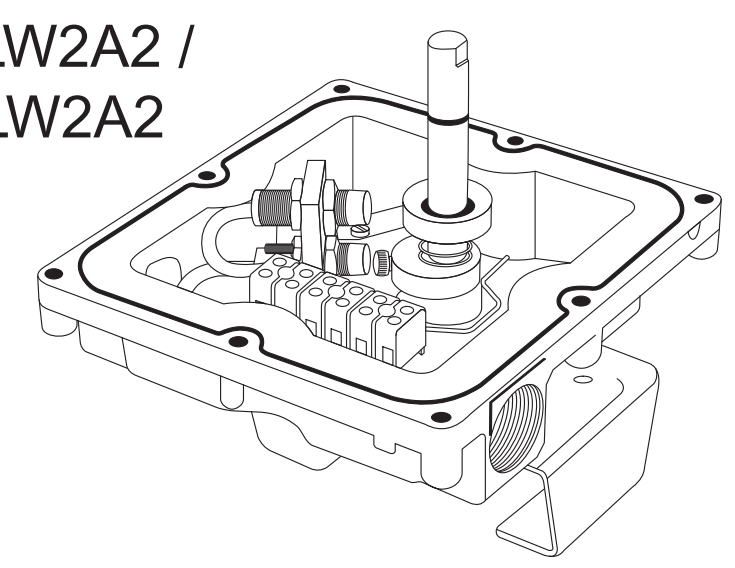
DNLF1A2



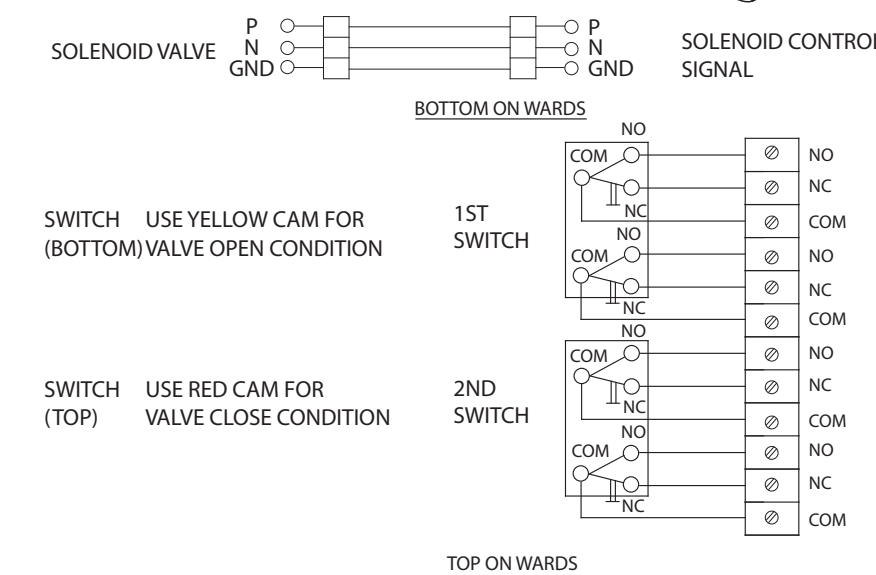
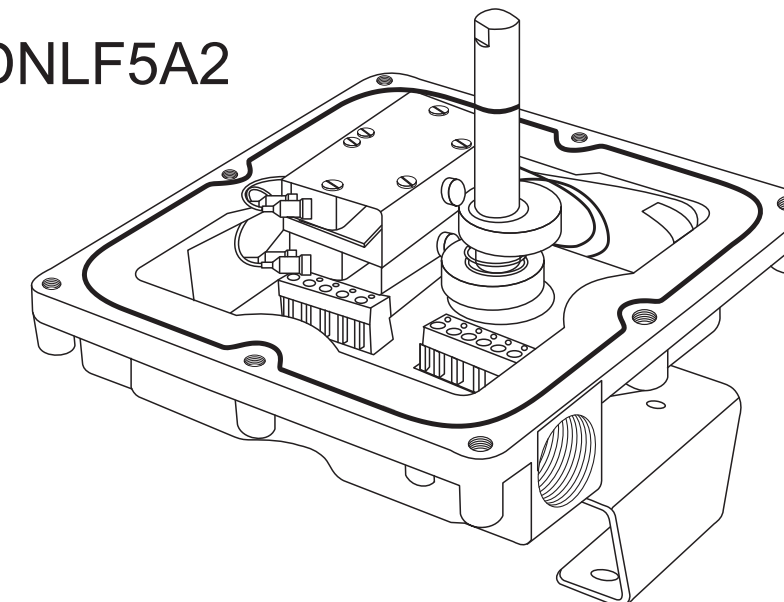
DXLW3A2 / DNLW3A2



DXLW2A2 / DNLW2A2



DNLF5A2



DXLW4A2 / DNLW4A2

